

MODEL 800 - 802

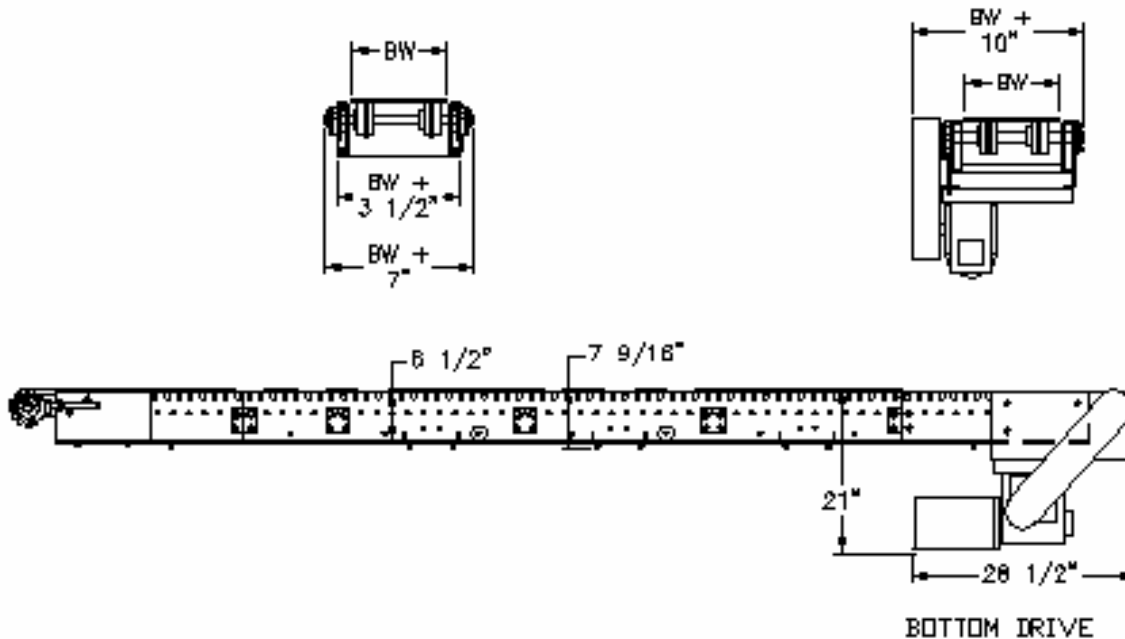
BOTTOM MOUNT DRIVE WIRE MESH BELT CONVEYORS

1700 Division Street, New London, WI 54961

Phone: (920) 982-4030; Fax: (920) 982-6800

Website: www.nleco.com

Light to medium-duty wire mesh conveyors designed to handle special applications with a variety of special deck options including rollers, longitudinal wear strips and herringbone wear strips.



BOTTOM MOUNT DRIVE

1700 Division Street, New London, WI 54961

Phone: (800) 437-1994

Fax: (920) 982-6800

www.nleco.com